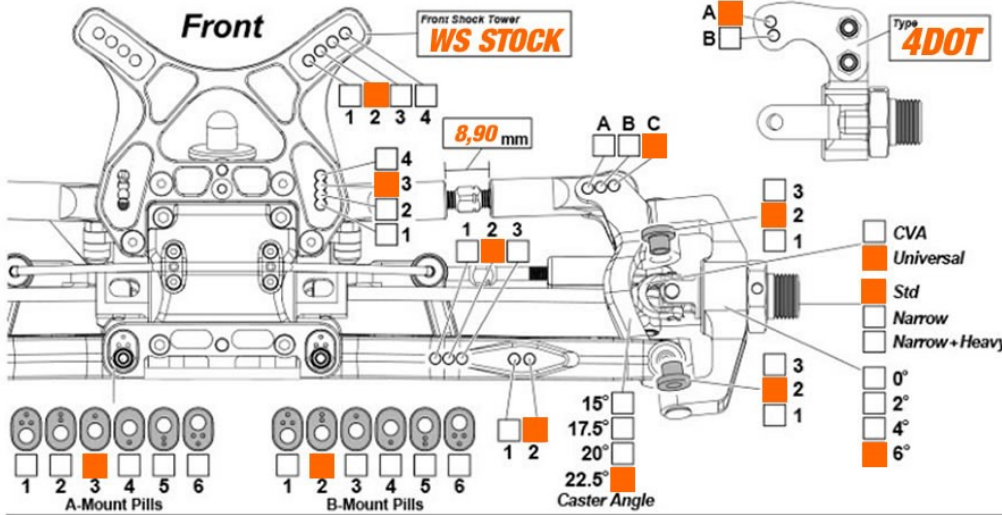


Driver **SETUP BASE** Date _____ Track _____ Event _____

Track Condition _____ Temperature _____



Ride Height **24,0** mm

Camber Angle **8,90mm** °

Toe Angle **30,2mm** °

Sway Bar **2,4** mm

Drop **FULL** mm

Shock Length **33** mm

Shock Stroke **107** mm

Type **4DOT**

Front Shocks

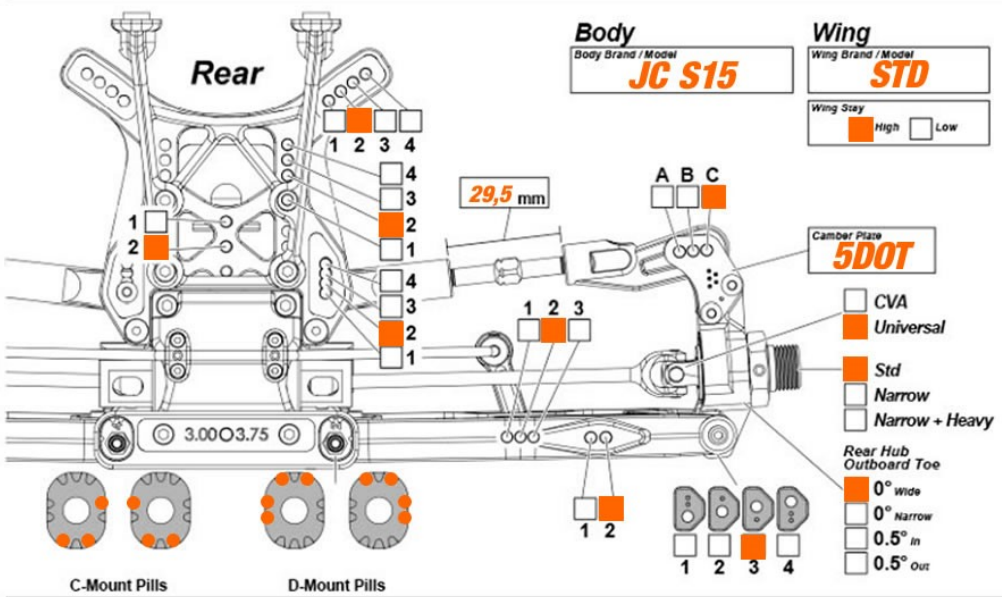
Oil weight **FTech 400 CPS** wt

Piston **5X1,5** mm

Bladder **STANDARD**

Spring **GOLD**

Notes



Ride Height **26,0** mm

Camber Angle **29,50mm** °

Toe Angle **2,5** °

Sway Bar **2,6** mm

Drop **FULL** mm

Shock Length **129** mm

Shock Stroke **43** mm

Wing Stay High Low

Rear Shocks

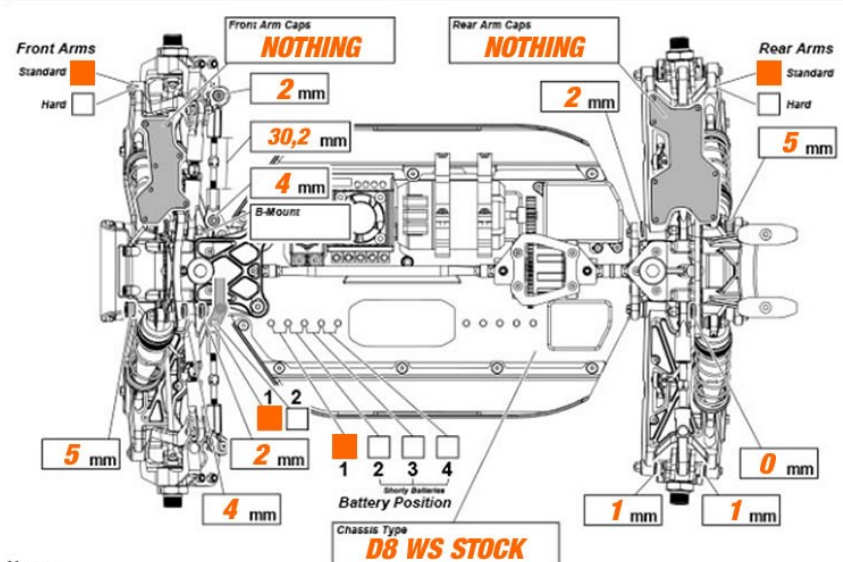
Oil weight **FTech 450 CPS** wt

Piston **5X1,6** mm

Bladder **STANDARD**

Spring **BLUE**

Notes



Motor

Brand / Model **1900KW**

Spur gear **48T** Pinion Gear **16T**

Battery

Brand / Model _____

ESC

Brand / Model _____

Diff Oils

Brand	Front	Center	Rear
Oil	FTech 12000	FTech 10000	FTech 5000

Tires

	Front	Rear
Brand		
Compound		
Insert		
Wheel		
Notes		

Notes

Remember: All you need is Passion!