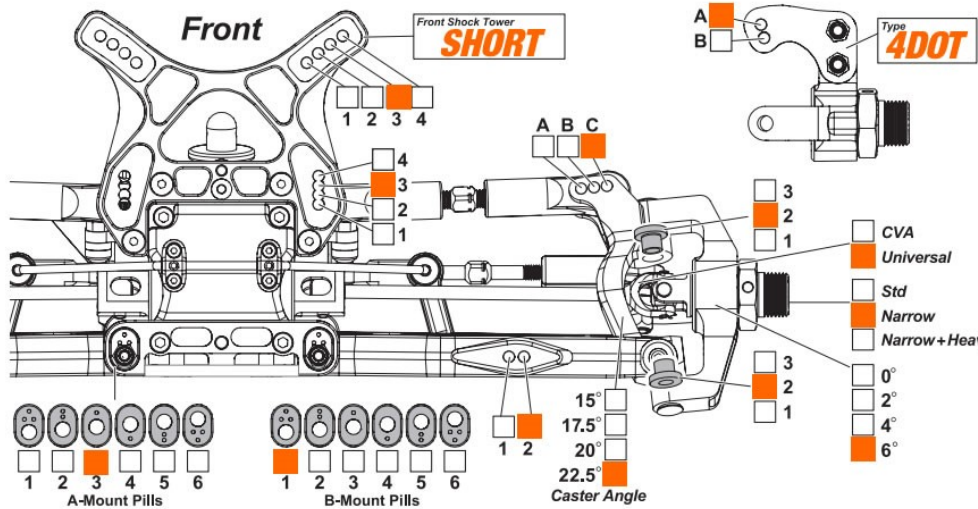


Driver **FABRIZIO TEGHESI** Date **18/06/23** Track **RC REDOVAN** Event **EC PRE-RACE**

Track Condition **HIGH GRIP - FRESH THREADED SURFACE** Temperature **33-38°**



Ride Height **20,0** mm

Camber Angle **5,40mm**

Toe Angle **30,1mm**

Sway Bar **2,4** mm

Drop **FULL** mm

Shock Length **105,5** mm

Front Shocks

Oil weight **FTTech**

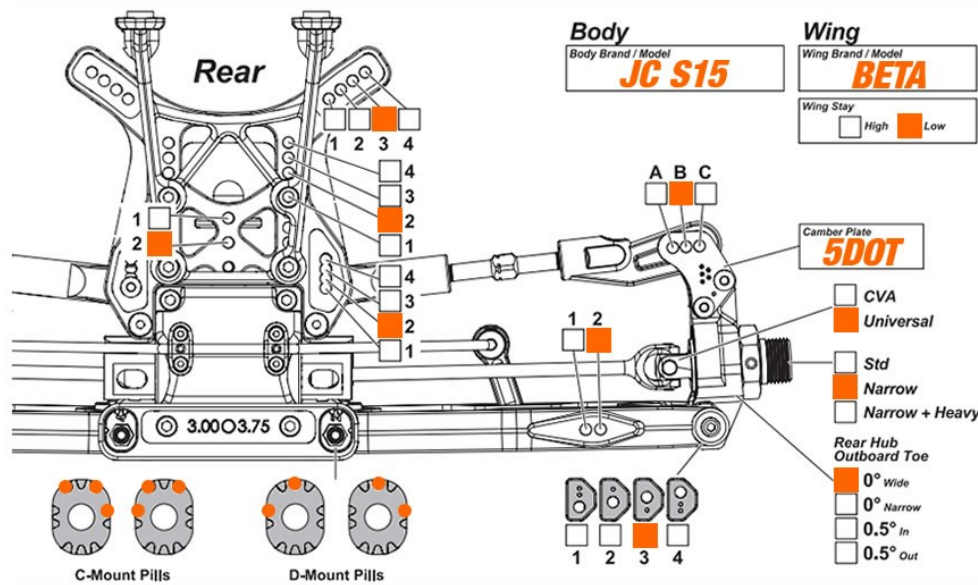
450 CPS

Piston **5X1,5** mm

Bladder **STANDARD**

Spring **GOLD**

Notes



Ride Height **24,0** mm

Camber Angle **26,00mm**

Toe Angle **2,75**

Sway Bar **2,8** mm

Drop **FULL** mm

Shock Length **127,5** mm

Rear Shocks

Oil weight **FTTech**

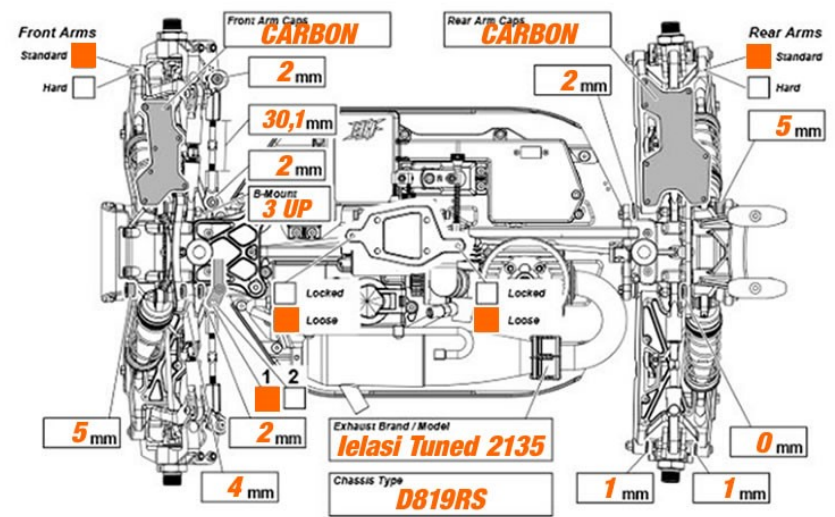
500 CPS

Piston **5X1,6** mm

Bladder **STANDARD**

Spring **YELLOW**

Notes



Engine

Brand **IELASI TUNED**

Spur gear **59T** Clutch Bell **17T**

Clutch Shoes **3x aluminium**

Clutch Springs **2x1,0 + 1x0,9**

Glow Plug **OS-ENGINES P4**

Glow Fuel **ENERGY 16EU**

Tires	Front	Rear
Brand	MATRIX	MATRIX
Compound	HARD	HARD
Insert	STANDARD	STANDARD
Wheel	MATRIX	MATRIX

Notes

Notes

RC PROJECT 30gr REAR WEIGHT on chassis & BRAKE DISKS

Remember: All you need is Passion!

Diff Oils

	Front	Center	Rear
Brand	FTTech	FTTech	FTTech
Oil Weight / Grade	2000	2000	7000